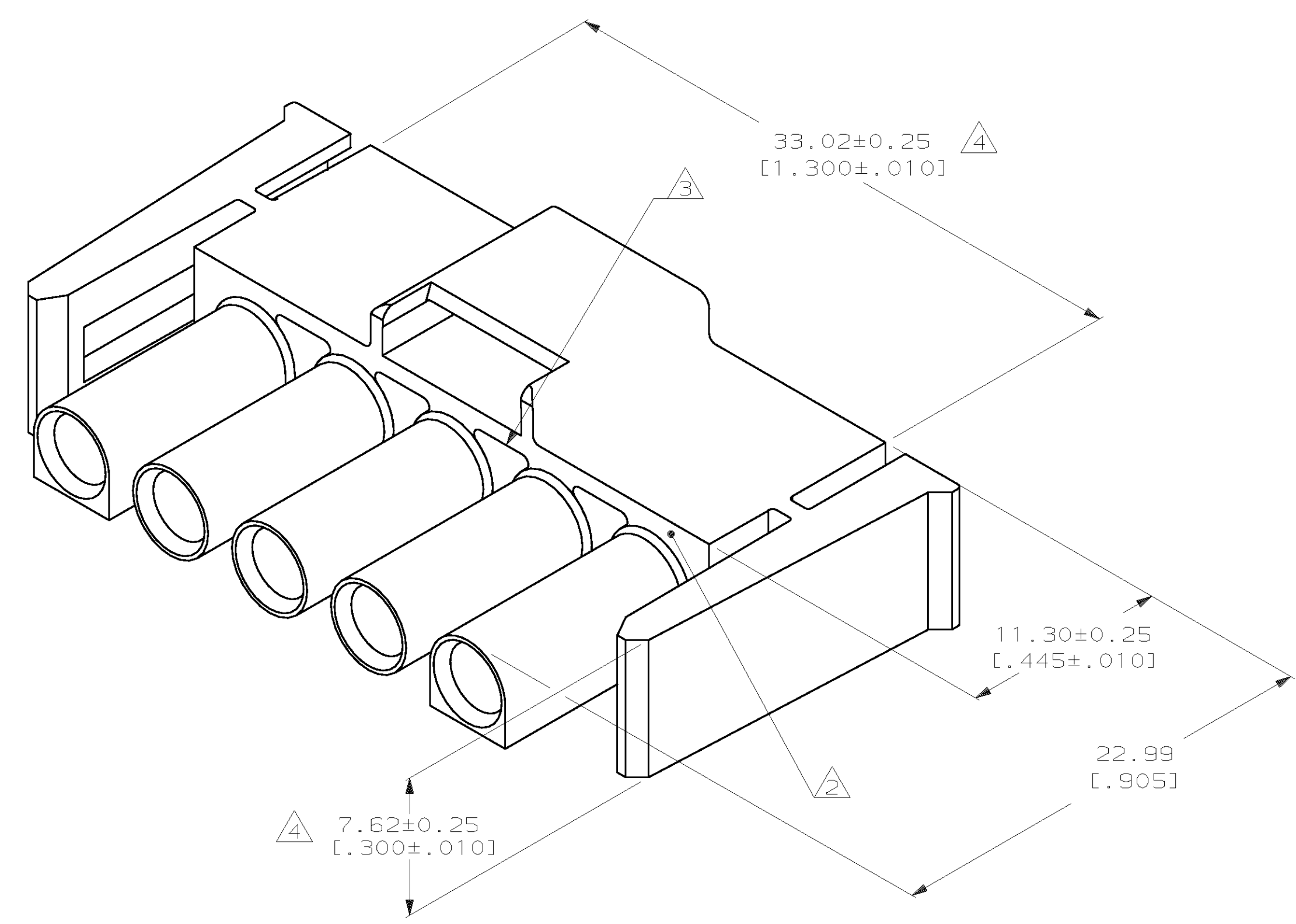


LOC		DIST		P		F		ZONE		LTR		REVISIONS			
CM	53											DESCRIPTION	DATE	APPD	
												E	REV PER EC 0L30-0036-97	3-20-97	JH



- MUST BE ASSEMBLED WITH PLUG REAR P/N 770320-1 BEFORE MATING. KIT P/N IS 770016-1.
- AMP LOGO LOCATED THIS SURFACE.
- NEW MOLD CONSTRUCTION PROVIDES MATERIAL REDUCTION CORING AT BASE OF SILOS WITH NO CORING AS OPTIONAL.
- DIMENSION INDICATED IS AS MOLDED. ADDITIONAL GROWTH DUE TO SUBSEQUENT MOISTURE ABSORPTION MAY OCCUR.

770319-1  
PART NUMBER

**METRIC**

DO NOT SCALE PRINT. UNLESS SPECIFIED DIMENSIONS IN INCHES TOLERANCES ON:		DR 1-15-92 K. SALMON		AMP INCORPORATED Harrisburg, Pa. 17105	
2 PLC DEC ±		CHK 1-15-92 R. SWING			
3 PLC DEC ± 0.13 [.005]		APPD 1-16-92 M. TRULL		NAME	
ANGLES ±		APPD 1-16-92 M. TRULL		PLUG FRONT, 5 CIRCUIT, UNIVERSAL MATE-N-LOK™ II	
MATERIAL		PRODUCT SPEC		SIZE	
NYLON, UL94V-0,		APPLICATION SPEC		D 00779	
FINISH		WEIGHT		DRAWING NO	
				770319	
				SCALE	
				5:1	
				SHEET	
				1 OF 1	